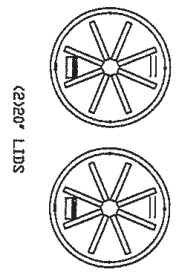
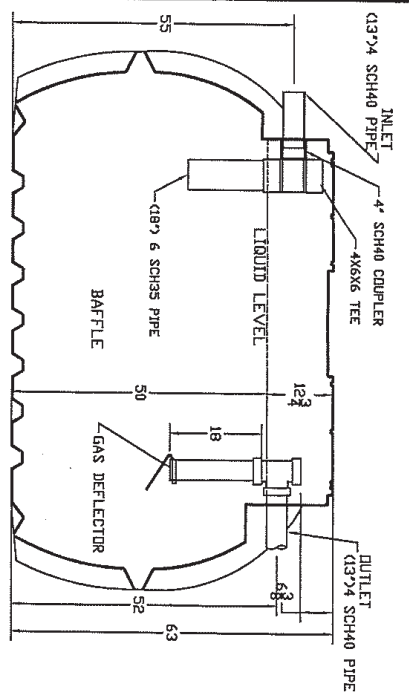


20110333

PART/PRINT NO. AKS70513
PART DESCRIPTION ILLINOIS SEPTIC/1000/NO BAFFLE/20&20 LID

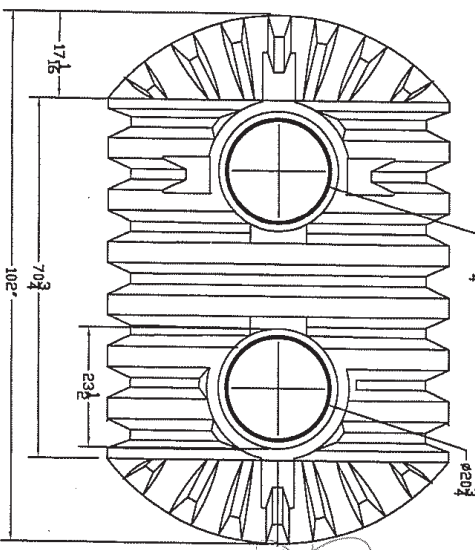
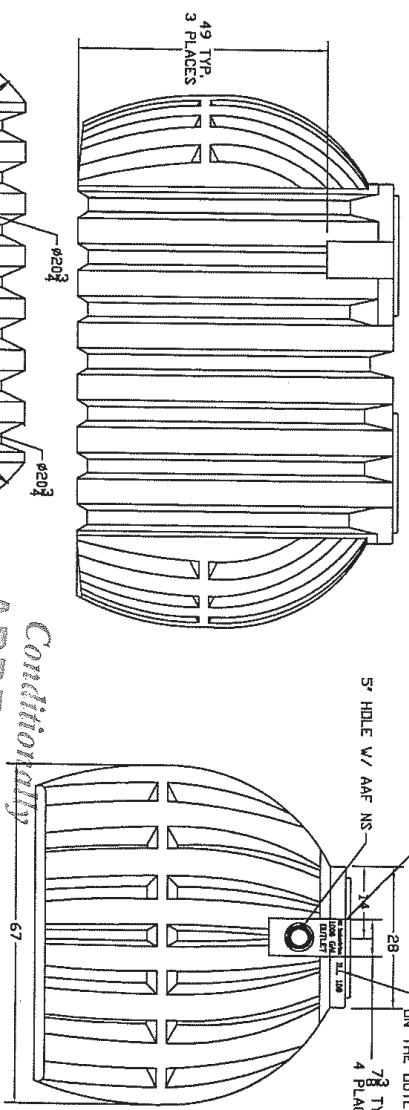
REVISION 001
DATE 12/02/05

20160211A



COMPANY NAME, CAPACITY, OUTLET AND INLET EMBRESSED ON TANK

ILLINOIS CODE "ILL 108" ON THE OUTLET
7/8" TYP. 4 PLACES
28
5" HOLE W/ AAF NS



Conditionally APPROVED

DEPARTMENT OF COMMERCE
DIVISION OF SAFETY AND BUILDINGS

- SEE CORNER FOR 1000 SEPTIC PLAIN
- AKS1200 (2) 20" LIDS
 - AKS1230 4" SCH40 TEE
 - AKS20750 (2) 4" AAF NS
 - AKR43180 4" SCH40 PVC PIPING
 - AKR30300 4" SCH40 COUPLER
 - AKR30355 4X6X6 TEE
 - AKR30400 6" SCH35 PVC PIPING
 - AKS10030 (2) GASKET PACKS FOR 20" LIDS
 - AKR30510 GAS DEFLECTOR

DRAWN MOLLIVAREZ	MATERIAL POLYETHYLENE	TOLERANCE +/- .250 UNLESS SPECIFIED OTHERWISE	SIGNATURE
---------------------	--------------------------	--	-----------

