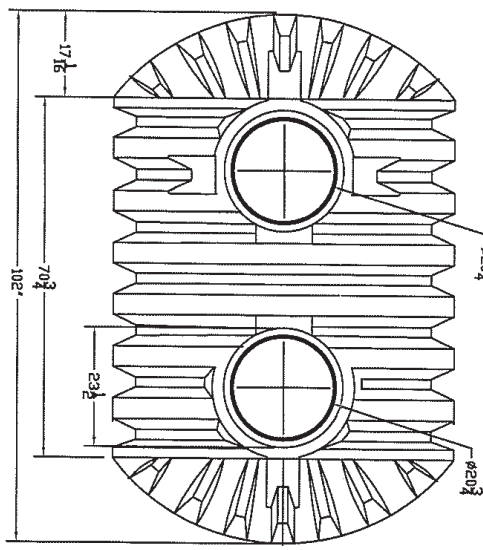
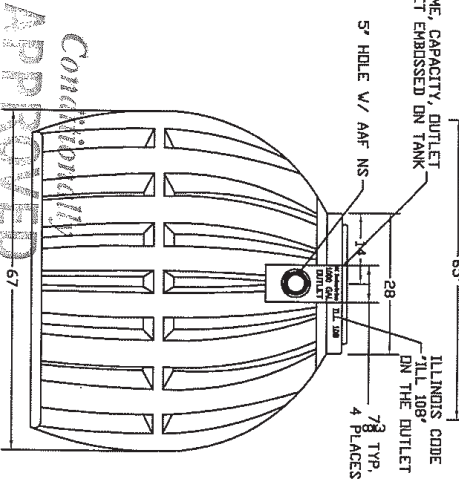
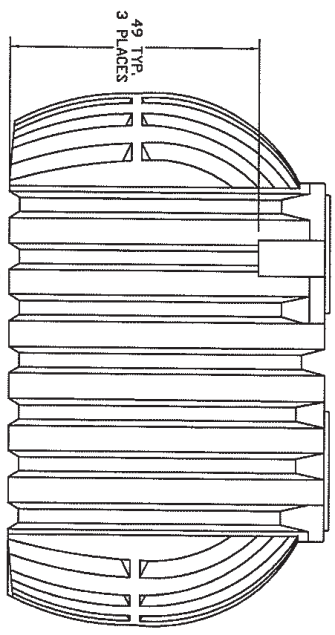
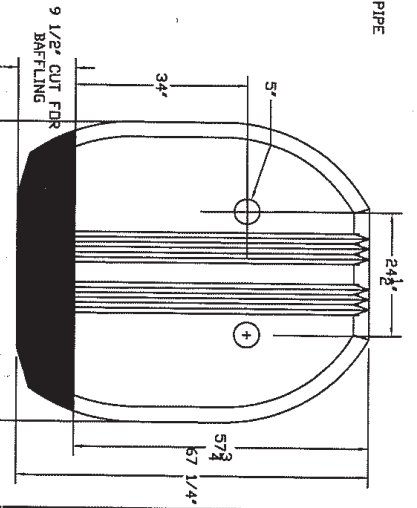
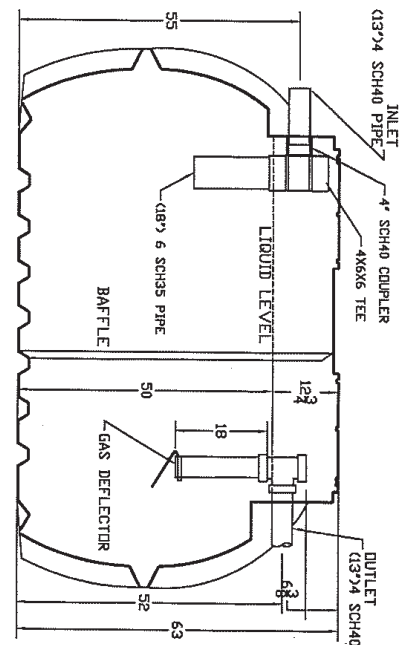


PART/PRINT NO. AKS60413  
 PART DESCRIPTION ILLINOIS SEPTIC/1000/BAFFLED/20&20 LID

REVISION 001  
 DATE 12/02/05

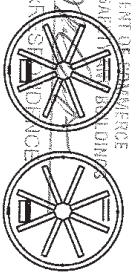


NOTE:  
 INSERTS ARE MOLDED IN THE PARTS WALLS

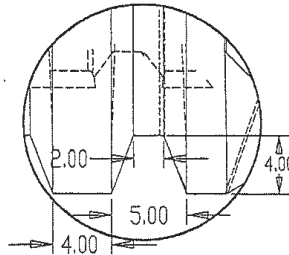
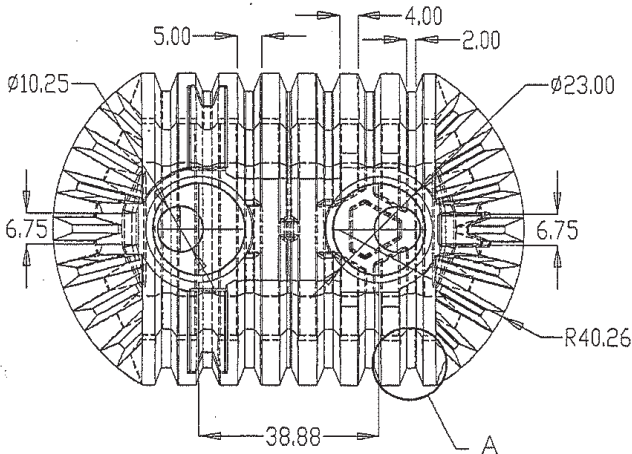
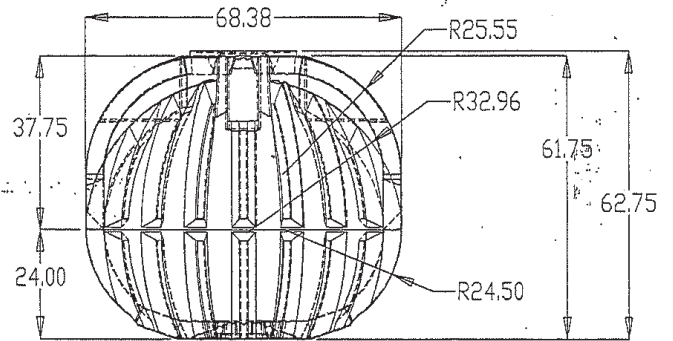
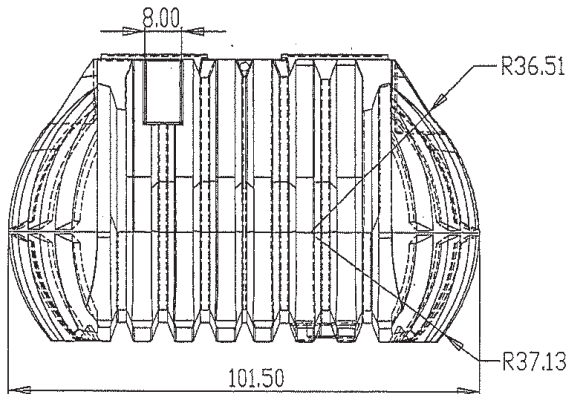
DRAWN MOLIVAREZ MATERIAL POLYETHYLENE TOLERANCE +/- .250 UNLESS SPECIFIED OTHERWISE SIGNATURE

- BDM
- AKS60000 1000 SEPTIC PLAIN
  - AKS10200 1000 BAFFLE
  - AKS11200 (2)20" LIDS
  - AKS12200 4" SCH40 TEE
  - AKS12500 (2) 4" AAF NS
  - AKRS0760 4" SCH40 PVC PIPING
  - AKR43180 4" SCH40 COUPLER
  - AKR30300 4X6X6 TEE
  - AKR30355 6" SCH35 PVC PIPING
  - AKR30400 (2)GASKET PACKS FOR 20" LIDS
  - AKS10030 GAS DEFLECTOR
  - AKR30510 (5)1/4-20 ALLUM. OPEN END INSERTS
  - AKR10130 (5)SS 1/4-20X2" BDLTS
  - AKR30050 (2)SS 1/4X1 1/2 FEND. WASHERS
  - AKR30110 (6) 1/4" NUTS
  - AKR30500 CONSEAL GASKET

Approved  
 Condition  
 DEPARTMENT OF CONSUMER AFFAIRS  
 DIVISION OF SALES AND BUSINESS REGISTRATION  
 SITE CORNER SIGNATURE



(2)20" LIDS



DETAIL A

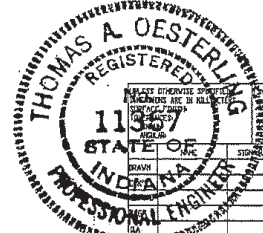
NOTES:

1. WALL THICKNESS, TOP, BOTTOM AND SIDES 0.42 INCHES.
2. ALL DIMENSIONS SHOWN ARE IN INCHES
3. POLYETHYLENE, TYPE II OR III AND CATEGORY 3 COMPLYING WITH ASTM D1248

CERTIFICATION:

ON AUGUST 2, 2007, A FIELD INSTALLED LOAD TEST WAS PERFORMED AND WITNESSED. THE SEPTIC TANK, AS MANUFACTURED BY AK INDUSTRIES SHOWN HEREIN, COMPLIES WITH IAPMO SPECIFICATION SECTION 3.7.

*Thomas A. Oesterling* 9/4/07  
 THOMAS A. OESTERLING, P.E. DATE  
 ABONMARCHE CONSULTANTS OF INDIANA, L.L.C.



DRAWN CHECKED DATE APPROVED	TO NOT SCALE DRAWING REVISION POLYETHYLENE SEPTIC TANK TITLE MODEL S-1000 SHEET NO. A3 SCALE: AS SHOWN SHEET 1 OF 1
--------------------------------------	------------------------------------------------------------------------------------------------------------------------------------------